

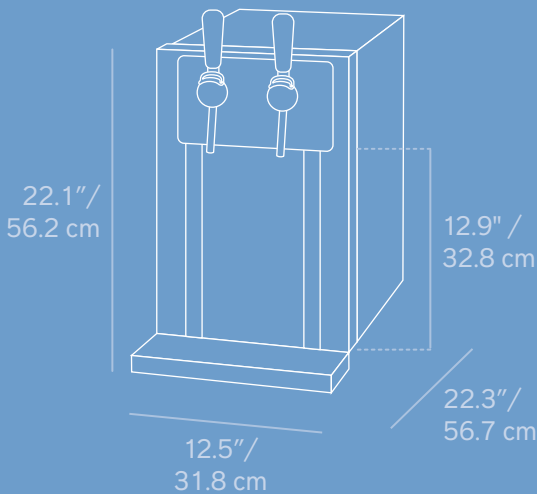


Inspire 2

Sparkling Water Dispenser

- Cold filtered water
- Chilled sparkling water
- Easy-to-use tap dispensing with bottle filling capabilities
- Vero+ Advanced filtration
- Dry cooling chilling technology to keep up with demand
- 48 reusable Vero glass bottles provided





Inspire 2

The Vero Water Inspire is a luxurious countertop water system that can deliver up to 25 liters of chilled filtered still or sparkling water in an hour* perfect for lounges and cafes. The Vero Water Inspire's stylish stainless steel compact design makes choosing an installation site easy. It's almost 13" dispense height, rapid chilling, and manual portion control offer easy bottle-filling capabilities with exclusive Vero reusable glass bottles. Offer your guests an exclusive and sophisticated hydration experience with the Vero Water Inspire.

Sparkling Water On-Demand

- Compact countertop system with pull-tap dispensing
- Freshly chilled still and sparkling water through direct chill technology
- Chills up to 25 liters of filtered water in an hour with a maximum flow capacity of 240 liters per hour*
- Stainless steel design resists fingerprints and dirt
- Dispensing height of 12.9"/32.8 cm to accommodate Vero glass bottles
- 48 reusable Vero glass bottles included
- Installed and pre-regulated with backflow prevention
- Easily connects to either external CO₂ tank or bulk CO₂ supply
- Vero 5-filter system is installed externally in the cabinet directly below.

Countertop Dimensions	22.1" h x 12.5" w x 22.3" d / 56.2 cm h x 31.8 cm w x 56.7 cm d
Undercounter Dimensions	16.5" h x 5.125" w x 23.125" d / 41.9 cm h x 13 cm w x 58.7 cm d
Ventilation clearance requirement	2" / 5 cm on all sides and top
Dry weight	57.3 lbs. / 26 kg
Dispense height	12.9" / 32.8 cm
Water options	Cold and chilled sparkling
Chilling capacity	6.6 gal/h or 25 liters/h
Maximum flow capacity	63.4 gal. / 240 liters per hour
Cooling technology	Direct Chill Cooling Technology
Recommended water pressure	50 psi
CO ₂ specification	Available external CO ₂ tank or bulk CO ₂ supply connection; Runs between 55-60 psi
Rated voltage/frequency/running amps	115V/60 Hz
Power consumption	1350 W-11 A
Model number	Vero Water Inspire 2

* Chilling capacity may vary depending on ambient water temperature.

All products are certified by independent authorized 3rd party laboratories in accordance of appropriate industry standards. To find out more about which certification your product may have, please contact us.