



The art of authentic,
pure water.

Vero is a healthy, lifestyle
choice for Inspired Living



Inspire Pre-Installation Checklist

Thank you for being a Vero Water customer! We are excited for your workplace to experience the great-tasting sparkling water from your new Vero Inspire. Before our certified technician can install your machine, the following pre-installation requirements must be completed.

Water Supply

- 1/4" potable water supply line terminating in standard plumbing fitting (must be accessible for service and installation)
- Water Supply Pressure: 55 PSI min - 60 PSI max (2.75 - 4.1 bar)
 - Must be a dedicated 3/8" water supply line with no other connections
 - Any water line or valve less than 1/4" is not acceptable
 - Pre-regulated with proper backflow prevention; can add water pressure regulator, if necessary

Electrical

- Dedicated 115 VAC/60 Hz (NEMA 5-15R) electrical circuit
 - The Inspire will draw 2 amps
 - GFCI receptacle or circuit is required
- Electrical connections within 40" of machine location; **NO EXTENSION CORDS**

Ventilation

- Clean, dry, well-ventilated area away from any source of heat; ambient temperature must be between: 41°F - 107.6°F
- 4-inches of clearance around each side of the undercounter chiller
- If installed in an enclosed space, adequate ventilation must be provided.
 - Customer may elect to have a cabinet/casework contractor install vents with grills or grates
 - Quench technicians can drill six (6) 1.5" diameter holes in one side and the bottom of the cabinet to allow adequate airflow

Countertop Tap Placement

- Any Water, Power, or CO₂ connections that will need to be routed through counters, cabinets, or walls need a minimum of 2" diameter hole pre-drilled.
 - Quench technicians are only permitted to drill up to 1-1/2" diameter holes through laminate or Corian counters. Any other surface or hole size must be pre-drilled prior to install.
- The Inspire must be installed on the countertop directly above the filtration box

CO₂ Supply

- CO₂ cylinder is on-site
 - If connecting to a bulk or existing CO₂ system, a CO₂ line terminating at a 1/4" barbed shutoff valve must be available within 40" of the installation site
- CO₂ pressure is 55 - 60 PSI

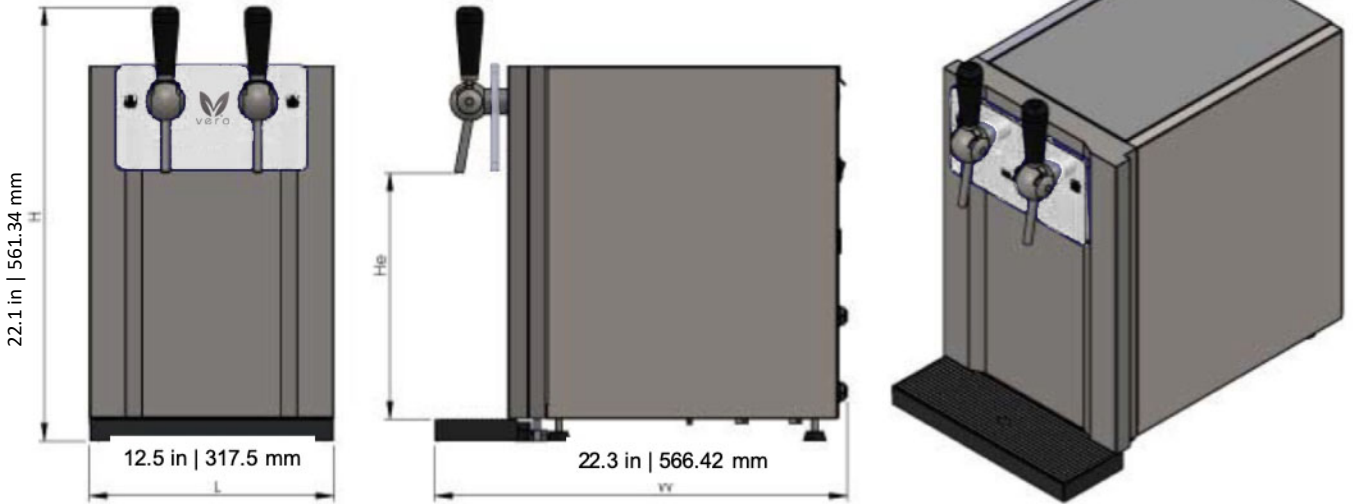


The art of authentic,
pure water.

Vero is a healthy, lifestyle
choice for Inspired Living



Vero Inspire Countertop Dispenser



Vero+ Filtration Box

