



# Quench 220 Wall

## High-Capacity Wall-Mounted Sparkling Water Dispenser

- Immense supply of chilled sparkling drinking water
- Freshly filtered cold water on-demand
- Innovative electronic dispensing with stainless steel push buttons
- Point-of-use UV light to maintain water cleanliness
- Ice bank cooling technology for high-capacity dispensing

water up 





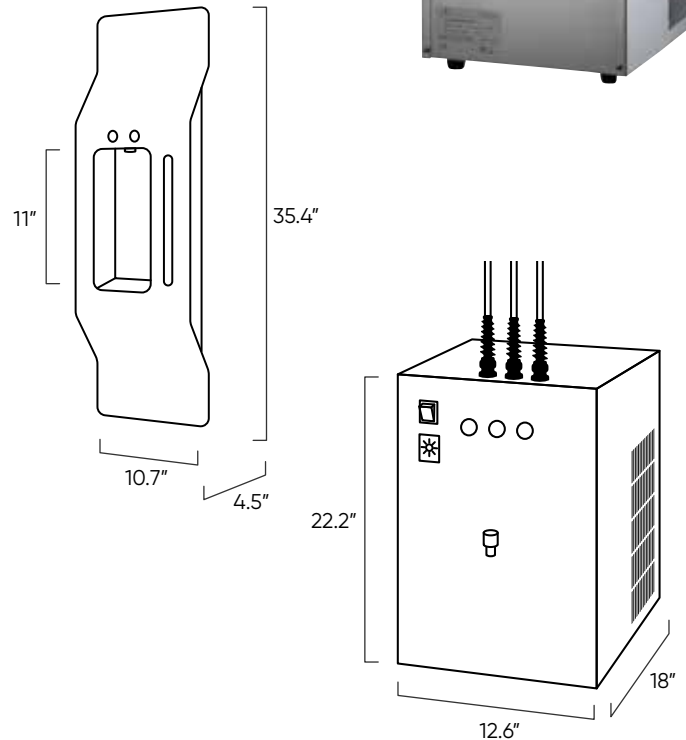
# Quench 220 Wall

Elevate your hydration choices for guests with a Quench 220 Wall! The Quench 220 Wall offers cold and chilled sparkling water on-demand through hygienic stainless steel push button dispensing. With its ice bank cooling technology, the Quench 220 Wall provides a high volume of filtered still and sparkling water of up to 20 gallons – or over 2,500 12 oz. glasses – in an hour! The Quench 220 Wall has a versatile, compact design which allows it to be installed almost anywhere, making it perfect for busy lobbies, hallways, and a variety of waiting areas.



## Wall Mounted Sparkling Water Dispenser

- Compact undercounter chiller with stylish wall-mounted dispensing points with drip tray
- Cold and chilled sparkling water on-demand
- Provides up to 20 gallons of chilled sparkling or still water in an hour
- Stainless steel push button dispensing
- Ice bank cooling technology for a constant supply of freshly filtered chilled water
- Dispensing height of 11 inches, perfect for reusable bottles
- Stainless steel and anodized aluminum construction for easy cleaning
- Requires undercounter space with ventilation and access



## Specifications

Wall Mount	35.4" h x 10.7" w x 4.5" d	Cooling Technology	Ice bank with stainless steel cooling coil
Undercounter	22.2" h x 12.6" w x 18" d	Recommended Water Pressure	14.5 – 51 psi
Dispensing Area Height	11"	Rated Voltages/Frequency	115V/60Hz
Wall Mount Weight	15.4 lbs.	Power Consumption Wall	8 amps
Undercounter Weight	64 lbs.	Power Consumption Undercounter	10 amps
Water Options	Cold still and chilled sparkling water	Model	220 Wall
Maximum Cooling Capacity	20 gal in an hour		
Continuous Cooling Capacity	12 gallons		

Quench products are certified by independent authorized 3rd party laboratories in accordance of appropriate industry standards. To find out more about which certification your product may have, please contact us.