



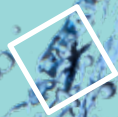
Quench 1010

Commercial Ice Bagging Dispenser

- Produces up to 662 lbs. of crescent ice cubes in 24 hours
- Ice storage of up to 650 lbs.
- All stainless steel construction resists dirt and fingerprints
- Hands-free dispensing with foot pedal
- Optional ice shoot dispensing or resting stand



water up



Quench 1010

The Quench 1010 will upgrade any workplace that needs large amounts of ice dispensed quickly, like fleet distribution centers, convenience stores, and grocery stores. The Quench 1010 produces up to 662 lbs. of crescent ice cubes in 24 hours and stores up to 650 lbs. Its stainless-steel agitator ensures quick dispensing: 30 lbs. in 30 seconds! Quench's state-of-the-art filtration and stainless-steel interior helps prevent bacteria growth while the stainless-steel finish resists fingerprints and dirt for easy cleaning.

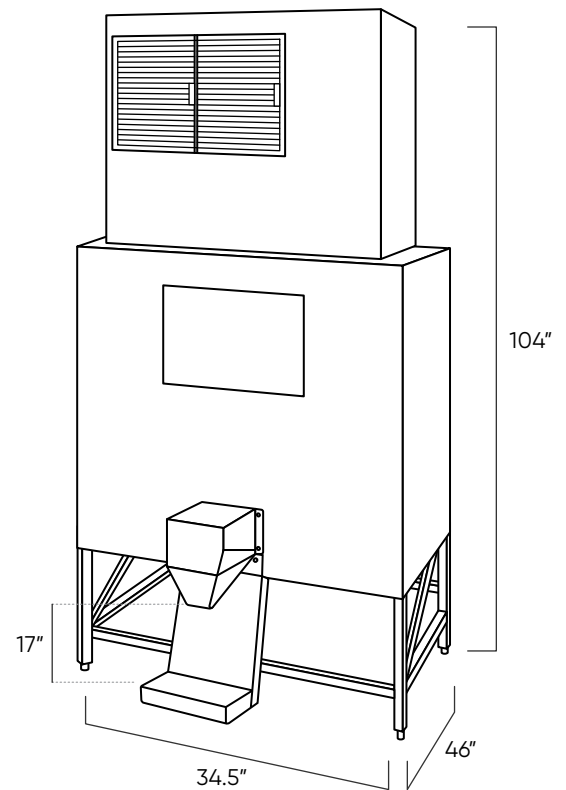


Quench 1010 Features:

- Produces up to 662 lbs. crescent ice cubes
- Ice storage of up to 650 lbs.
- Touchless foot pedal dispensing
- State-of-the-art carbon or reverse osmosis filtration
- Front or rear serviceability for trouble-free access
- Large 17" dispense height, perfect for most Igloo® storage containers
- Available with dispensing chute or resting stand

Specifications

Dimensions	104" h x 34.5" w x 46" d
Dispensing Area	17"
Weight	609 lbs
Ice Output	662 lbs.
Ice Storage Capacity	650 lbs.
Recommended Water Pressure	40 - 80 psi
Electrical Requirement	1 dedicated 115V/15-amp circuit and 1 dedicated 115V/20-amp NEMA 5-20 R circuit
Power Consumption	4.90 kWh/100 lbs. of ice production
Drain Requirement	Needs to be installed within 10 feet of a drain
Water Consumption	16 gal/100 lbs. of ice production
Clearance	12" back
Model Number	1010



Quench products are certified by independent authorized 3rd party laboratories in accordance with appropriate industry standards. To find out more about which certifications your product may have, please contact us.