



# Quench Q7

## Freestanding and Countertop Series with quenchWATER+

- Enjoy the quenchWATER+ mineral water taste at the touch of a button
- Experience safe dispensing with our touchless pedal or touch sensor options
- Trust our advanced filtration to remove contaminants and LED UV to maintain water quality



  
LARGE CAPACITY

  
MINERAL+

water up  



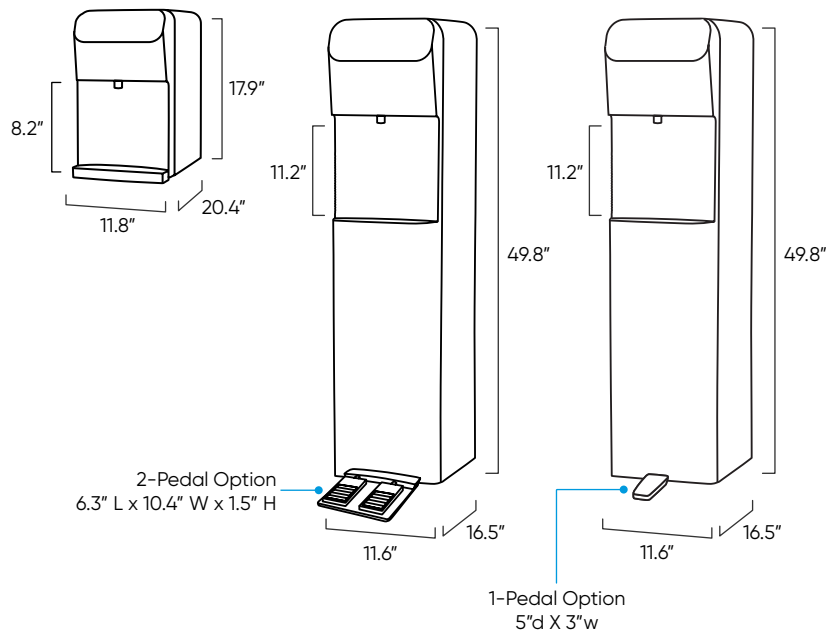
# Quench Q7

The Quench Q7 series takes hydration to the next level by providing quenchWATER+ on-demand. The quenchWATER+ filtration system in the Q7 first purifies your building's water then it adds essential electrolytes and minerals to revitalize the water's taste and alkalinity. The Quench Q7 series offers safe and sanitary touchless or touch sensor dispensing, antimicrobial surface protection, and LED UV light to guarantee fresh, clean drinking water for the most modern workplaces.



## Designed with the user in mind

- Reverse osmosis or carbon filtration with mineral additives to produce quenchWATER®\*
- LED ultraviolet light to maintain water quality
- Hot water safety feature with touch sensor or touchless pedal dispensing
- Antimicrobial surface protection
- Taller ergonomic "no-bend" dispensing design (Freestanding model)
- quenchWATER+ system fits nicely inside (Freestanding model)
- Fits under most cabinets (countertop model)
- Touchless cold water foot pedal or 2-pedal hot and cold dispensing available (Freestanding model)



## Specifications

### Quench Q7 Freestanding

Dimensions	49.8" h x 11.6" w x 16.5" d/ 127 cm h x 30 cm w x 42 cm d
quenchWATER+ filtration system is installed in base of machine and no RO tank is required in most installations	
Weight	60 lbs/28 kg
Cold Tank Capacity	1.6 gallons/6.1 liters
Hot Tank Capacity	0.7 gallons/2.7 liters
Dispensing Area Height	11.2"
Filtration	quenchWATER+ RO or CF
Rated Voltage/Frequency	120V/60Hz
Power Consumption	1.6kWh/24 hours
Recommended Water Pressure	40 - 60 psi
Model Number	Q7FS RO QW plus/Q7FS CF M plus

### Quench Q7 Countertop

Dimensions	17.9" h x 11.8" w x 20.4" d/ 46 cm h x 30 cm w x 51.8 cm d
quenchWATER+ filtration system is installed in machine. RO tank may be required for installation.	
RO tank - 10.9" diameter x 13.75" h/28 cm diameter x 35 cm h	
Weight	49 lbs/23 kg
Cold Tank Capacity	1.0 gallons/3.8 liters
Hot Tank Capacity	0.4 gallons/1.4 liters
Dispensing Area Height	8.2"
Filtration	quenchWATER+ RO or CF
Rated Voltage/Frequency	120V/60Hz
Power Consumption	1.1 kWh/24 hours
Recommended Water Pressure	40 - 60 psi
Model Number	Q7CT RO QW plus/Q7CT CF M plus

\* Essential minerals including calcium, magnesium, potassium, and sodium are added to the water to give it a crisper mineral water taste. The mineral filter media has FDA- and other third party certifications and the quantities of minerals added are negligible such that they are considered insignificant in a diet context. The Quench Q7 is certified by IAPMO R&T according to NSF/ANSI 372 standards. For more information, please contact us.

