



Quench 533 FS/CT

Sparkling Water Dispenser

- Cold, ambient, and hot filtered water
- Chilled sparkling water
- Touchless dispenser with sensor-activation
- Ice bank cooling technology to keep up with demand
- Modern, sophisticated design with glass front panel and temperature-indicating dispenser lights

water up





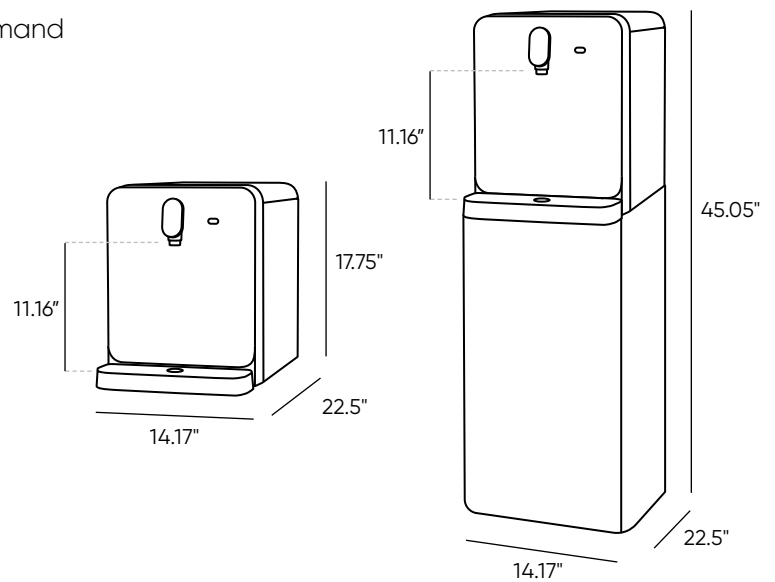
Quench 533

Level up your workplace hydration with sparkling water with the Quench 533! A sleek and stylish sparkling water dispenser, the Quench 533 offers cold, ambient, and hot filtered water as well as chilled sparkling through innovative touchless dispensing with temperature-indicating dispenser lights. The Quench 533 features state-of-the-art hygiene technology, including touchless sensor-activated dispensing, antimicrobial surface protection, and glass front panel. The Quench 533 uses ice bank cooling technology to provide a high volume of filtered still and sparkling water, perfect for office kitchens, executive areas, and waiting rooms. The Quench 533 is available as a freestanding machine as well as a space-saving countertop model.



Flavored Sparkling Water

- Cold, ambient, hot, and chilled sparkling water on-demand
- Ice bank cooling technology
- Hygienic touchless dispensing with temperature-indicator lights
- Splash-less water flow
- Antimicrobial surface protection to maintain surface cleanliness
- Large 11" dispensing area and drip tray
- Self-diagnostic indicator for low CO2
- Available as a freestanding or countertop model



Specifications

Quench 533 Freestanding

Dimensions	45.05" h x 14.17" w x 22.5" d
Dispensing Area	11.16"
Weight	71.9 lbs/32.6 kgs
Water Options	Still cold, ambient, hot, and chilled sparkling water
Cooling Capacity	15 gal/hour (60 L/hour)
Hot Tank Capacity	0.33 gal (1.25 liters)
Sparkling Tank Capacity	0.18 gal (0.7 liters)
Recommended Water Pressure	50 – 80 PSI
Rated Voltage/Frequency	110v/60Hz
Power Consumption	1.60 kWh/24 hours
Model Number	Quench 533 FS

Quench 533 Countertop

Dimensions	17.75" h x 14.17" w x 22.5" d
Dispensing Area	11.16"
Weight	71.9 lbs/32.6 kgs
Water Options	Still cold, ambient, hot, and chilled sparkling water
Cooling Capacity	15 gal/hour (60 L/hour)
Hot Tank Capacity	0.33 gal (1.25 liters)
Sparkling Tank Capacity	0.18 gal (0.7 liters)
Recommended Water Pressure	50 – 80 PSI
Rated Voltage/Frequency	110v/60Hz
Power Consumption	1.60 kWh/24 hours
Model Number	Quench 533 CT