



Quench Wall-Mount Hydration Station

- Ambient drinking water on-demand
- Advanced filtration
- Electronic, touchless dispensing
- 30-second automatic shut-off
- No drain required
- ADA compliant



water up 



Quench Wall-Mount Hydration Station

The surface-mount Hydration Station Model 2000SMS is a modern alternative to the traditional water fountain: its a touchless ambient drinking water dispenser that installs on any indoor wall space. Water up with the Hydration Station!

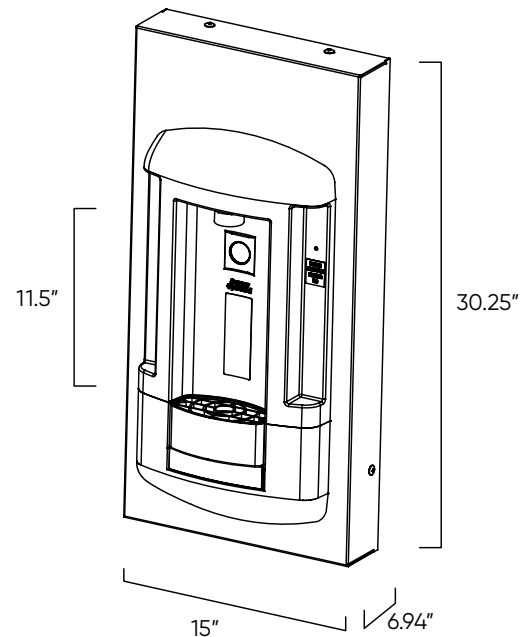


Wall-Mount Hydration

- Ambient drinking water on-demand
- Advanced carbon filtration
- Touchless dispensing technology
- 30-second automatic shut-off
- Large dispensing area, perfect for sports bottles
- Fast fill rate
- No drain required
- ADA compliant

Specifications

Dimensions	30.25" h x 15" w x 6.94" d
Dispensing Height	11.5"
Filtration	Advanced Carbon, 0.5 micron, rated for cyst and lead reduction
Rated Voltages/Frequency	115VAC/60Hz
Power Consumption	0.14 amps (when dispensing only)
Recommended Water Pressure	30-90 PSI
Model Number	Hydration Station SMS 2000



Quench products are certified by independent authorized 3rd party laboratories in accordance of appropriate industry standards. To find out more about which certification your product may have, please contact us.