



Quench 755: Countertop Water Cooler

- ◆ Bottleless filtered drinking water cooler
- ◆ Cold, hot, and room-temperature water
- ◆ State-of-the-art filtration
- ◆ Ultraviolet sanitization
- ◆ BioCote[®] anti-microbial surface protection
- ◆ Typically serves up to 65 users
- ◆ Recessed spigots and push-button dispensing
- ◆ Prevents up to 300 5-gallon jugs from entering landfills each year



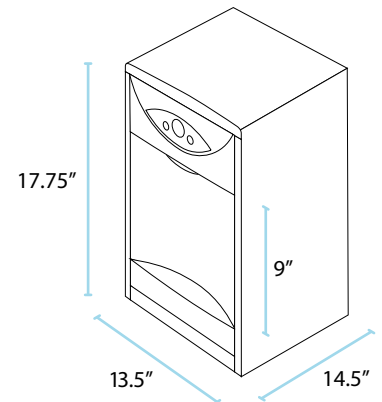
Beautiful on the outside, the best technology inside

Quench 755. The Quench 755 is a deluxe countertop water cooler with ultraviolet sanitization, BioCote® anti-microbial surface treatment, hot, cold and room-temperature water. The Quench 755 is great for high-traffic areas where floor space is a premium, and it looks great in reception areas, lobbies, showrooms or anywhere else you need a virtually endless supply of great-tasting filtered water.



A GREEN APPROACH

The Quench 755 prevents up to 300 5-gallon plastic jugs from entering landfills each year.



Specifications

DESCRIPTION	SPECIFICATION
Weight	42 lbs
Dimensions	17.75"h x 13.5"w x 14.5d
Cold Tank Capacity	2.00 liters/0.53 gallons
Hot Tank Capacity	1.6 liters/0.42 gallons
Recommended Water Pressure	40-60 psi

DESCRIPTION	SPECIFICATION
Rated Voltage/Frequency	120v/60Hz @ 6.1 amps
Power Consumption	0.84 kWh/24 hours
Automatic UV Sanitization	Yes
Users	Typically serves up to 65 people



780 5th Avenue, Suite 200 | King Of Prussia, PA 19406 | phone: 888.877.0561 | <http://quenconline.com>

© 2017 Quench. All rights reserved. Q755-001-APR17

an **AQUAVENTURE**HOLDINGS™ business
WAAS™

